



WORLD  CLASS  
**CARGO**  
SECUREMENT  
KEEPING PEOPLE **SAFE**  
FOR **50** YEARS

NEW PRODUCTS  
autumn 2019

**WISTRA**  
CARGO CONTROL



# WISTRA AirlineStop

AirlineStop for safe transport



Scan QR code and watch video

## Against pallet slipping on the loading space

With this AirlineStop, pallets can be secured against slipping on the loading space. The fitting can be used directly as a blockage in combination with integrated airline rails in the vehicle floor.

Suitable holding profiles between two fittings are **50 x 50 mm aluminum profiles**, WISTRA article numbers: **221851-1975** and **221851-1000**.

2

It is also possible to use a locking bar with a 19 mm pin at the ends. Due to the symmetrical design of the article, there are no different fittings for the left or right side.

In illustration B you can see the application of the article tilted by 90 degrees. For this application we recommend securing the connection with a pin / split of the aluminum profile.

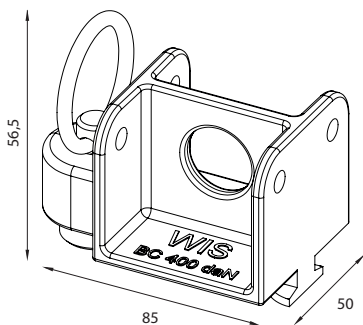
## Technical data

- > for profiles up to 50 mm thickness
- > BC (breaking capacity) 400 daN
- > material: steel, galvanised
- > size: 85 mm x 50 mm x 56,5 mm
- > weight: 410 g
- > height above the vehicle floor: 49 mm
- > center hole:  $\varnothing$  20 mm for  $\varnothing$  19 mm spigots
- > 4 x 6 mm hole for dowel pins

### Also available as a set:

- Set 1: 2x AirlineStop, 1x aluminum profile (length 1.000 mm)
- Set 2: 2x AirlineStop, 1x aluminum profile (length 1.975 mm)

Designation	Item number
WISTRA AirlineStop	140000040000
Aluminum profile 50 x 50 mm 1000 mm	221851-1000
Aluminum profile 50 x 50 mm 1975 mm	221851-1975
WISTRA AirlineStop Set 1	221104001000
WISTRA AirlineStop Set 2	221104001975



A: AirlineStop with a barrier bar



B: Lateral application



## LED airline lashing track 5523

Airline track with  
LED strips



### Electrical connection

The connection is made by a 2-core cable with 2 x 0.5 mm<sup>2</sup> cross-section.

If required, the caps can also be screwed on. For this purpose, the caps are drilled from the back with a 4.3 mm drill bit.

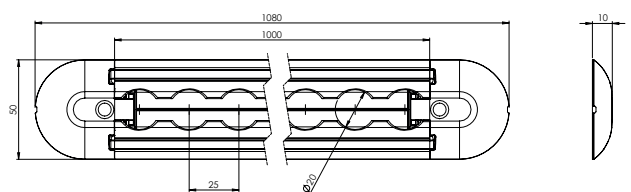
**Note:** The maximum voltage of the LED strip is 12.4 V. If the vehicle's electrical system is not limited to this voltage, a voltage limiter must be used to prevent the LED track from overheating.

### Technical data

- > semi-circular version with 2 integrated LED strips and 2 end caps
- > track width: 50 mm
- > track height: 10 mm
- > hole diameter: 20 mm
- > hole pattern: 25 mm
- > length of lashing track: 1,000 mm +1/-5
- > length incl. end caps: 1,080 mm +1/-5
- > material: aluminium, untreated
- > nominal voltage: 12 V
- > nominal power: 11.3 W (total power 22.6 W)
- > colour temperature: 6,500 K
- > lumen: 870 lm per strip
- > protection class: IP67
- > weight: 565 g

Available as a set of 5 with 1 m or 2 m connection cable

Designation	Item number
Lashing 5523 air 1,000 mm bare	215523770500
Lashing 5523 air 2,000 mm bare	215523770501



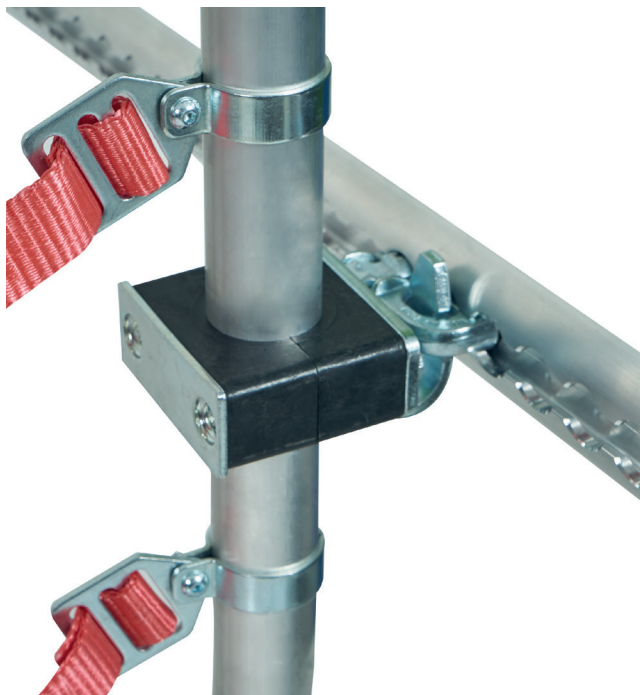


## "QuickMED" medium cargo securing net



### Technical data

- > suitable for Citroën Jumpy, Fiat Talento, Ford Transit Connect, MB Vito, Opel Vivaro, Renault Trafic, VW T5 / T6, as well as other models
- > vertical pickup truck load safety net
- > is locked by spring pressure on the bottom pin in the hooking device
- > strap width: 25 mm
- > with aluminium rods both sides
- > 2 mounting levels for hanging up
- > LC net mounting point 250 daN
- > LC net total 600 daN
- > mesh check, production and marking according to VDI guideline 2700 Part 3.3
- > net height approx. 1,200 mm
- > weight net: approx. 4.8 kg
- > weight fitting 380 total: approx. 900 g



### Side mounting

- > WIS hook-in device for double airline fitting 380
- > 8 double airline fittings are already included in the set

### Packed as a set

Designation	Item number
Safeg QuickMED medium	274290000100





## "QuickMED" small cargo securing net



### Technical data

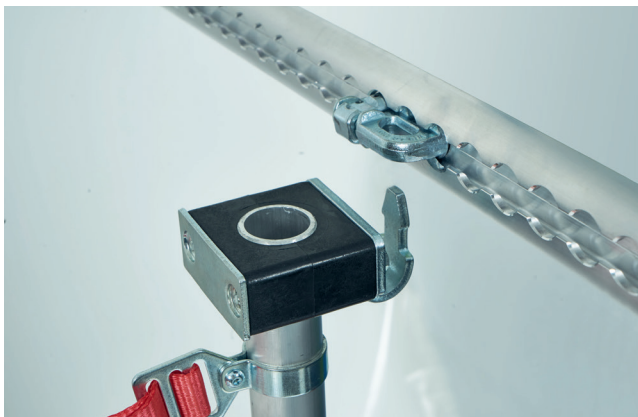
- > suitable for Citroën Berlingo, Fiat Doblo, Ford Transit Courier, MB Citan, Opel Combo, Renault Kango, VW Caddy, as well as other models
- > vertical pickup truck load safety net
- > is locked by spring pressure on the bottom pin in the hooking device
- > strap width: 25 mm
- > with aluminium rods both sides
- > 2 mounting levels for hanging up
- > LC net mounting point 250 daN
- > LC net total 600 daN
- > mesh check, production and marking according to VDI guideline 2700 Part 3.3
- > net height approx. 1,080 mm
- > weight net: approx. 4,3 kg
- > weight fitting 380 total: approx. 900 g

### Side mounting

- > WIS hook-in device for double airline fitting 380
- > 8 double airline fittings are already included in the set

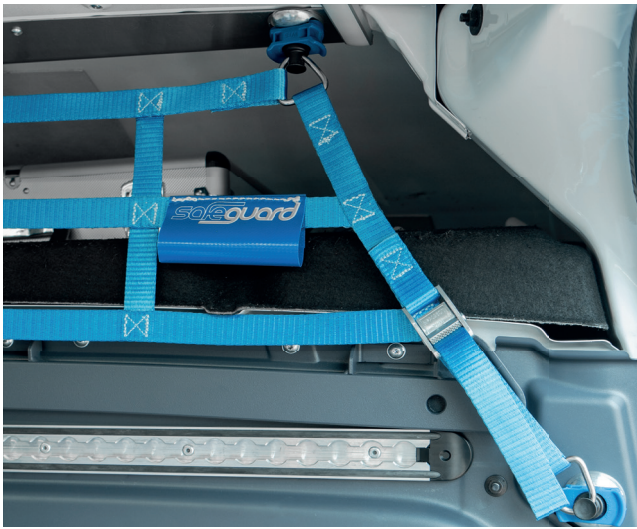
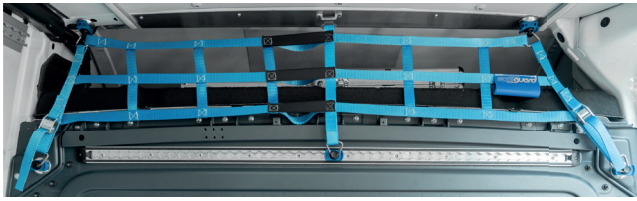
### Packed as a set

Designation	Item number
Safeg QuickMED small	274290000200





## WISTRA alcove netting



### Technical data

- > load securing net for the storage space above the cab
- > adapted to the contour of the MB Sprinter - Hight 2
- > strap width: 25 mm
- > strap colour: blau
- > LC net mounting point 200 daN
- > LC net total 150 daN
- > mesh check, production and marking according to VDI guideline 2700 Part 3.3
- > net height approx. 215 mm
- > weight net: 900 g
- > attachment with 5x fitting 382 and hook 213
- > 5x round airline attachment points, 1x flat hook as well as 1x hooks and clamps are included in the set

### Packed as a set

Designation	Item number
Safeg alcove network for Sprinter H2	2743101

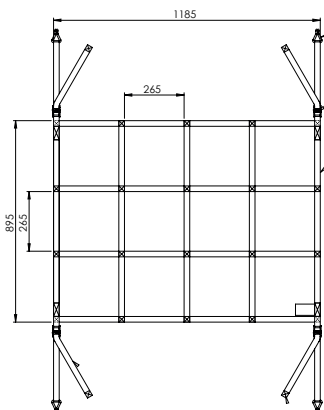
## WISTRA WheelNet



### Technical data

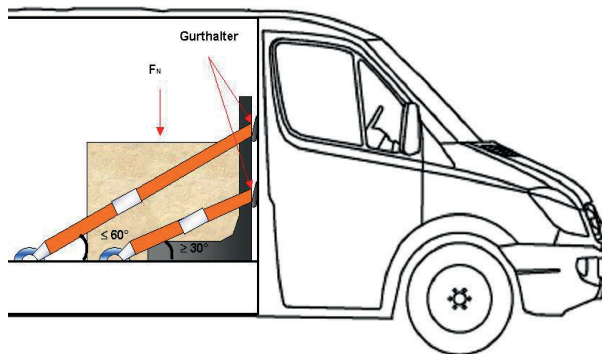
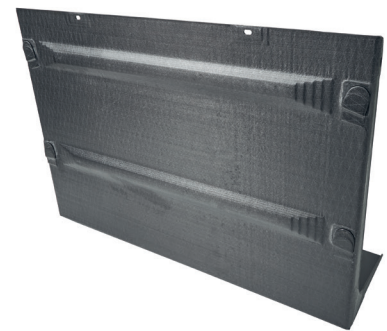
- > size: 1185 x 895 mm
- > mesh size: 265 x 265 mm
- > strap width: 25 mm
- > strap colour: rot
- > LC net total: 300 daN
- > 4 x end fitting 002
- > 4 x clamping lock 25 mm
- > weight net: approx. 1,16 kg

Designation	Item number
Safeg tire net for trunk	274300000000





## Carbon "QuickWall" cargo securing wall



Scan QR code and watch video

### Technical data

- > made of high-quality carbon fibre material
- > colour: black
- > in conjunction with the lashing straps used on two levels in the means of transport ensures cargo securing with positive locking
- > width x height x depth: 1,190 x 800 x 360 mm
- > weight: approx. 12 kg
- > DEKRA-certified (No. 201432956 dated 17/10/2014)
- > use with RH mats and lashing straps LC 1000 daN easy and straightforward
- > the max. total payload of the QuickWall is 1,400 kg

**As a set incl. 2 lashing straps WTR 2200-520 0.5 + 5.5 m and 2x non-slip mat roll 1,250 x 3 x 150 mm**

Designation	Item number
Carbonwand	16920000





**WISTRA**  
CARGO CONTROL



WORLD  CLASS  
**CARGO**  
**SECUREMENT**  
KEEPING PEOPLE **SAFE**  
FOR **50** YEARS

**WISTRA**  
CARGO CONTROL

**WISTRA GmbH**  
Cargo Control  
An der Trave 11 • 23923 Selmsdorf  
Phone: +49 (0) 388 23 / 258-0  
Fax: +49 (0) 388 23 / 258-23  
E-mail: info@wistra.eu

**UAB "Wistra Cargo Control"**  
Pramones 8  
LT-94102, Klaipeda  
Phone: +370 61024943  
Phone: +370 69565282  
E-mail: masiule@wistra.eu

[www.wistra.eu](http://www.wistra.eu)



You can also visit us on Facebook:  
[www.facebook.com/wistra.eu](http://www.facebook.com/wistra.eu)