

WMS CARGO CONTROL STRA

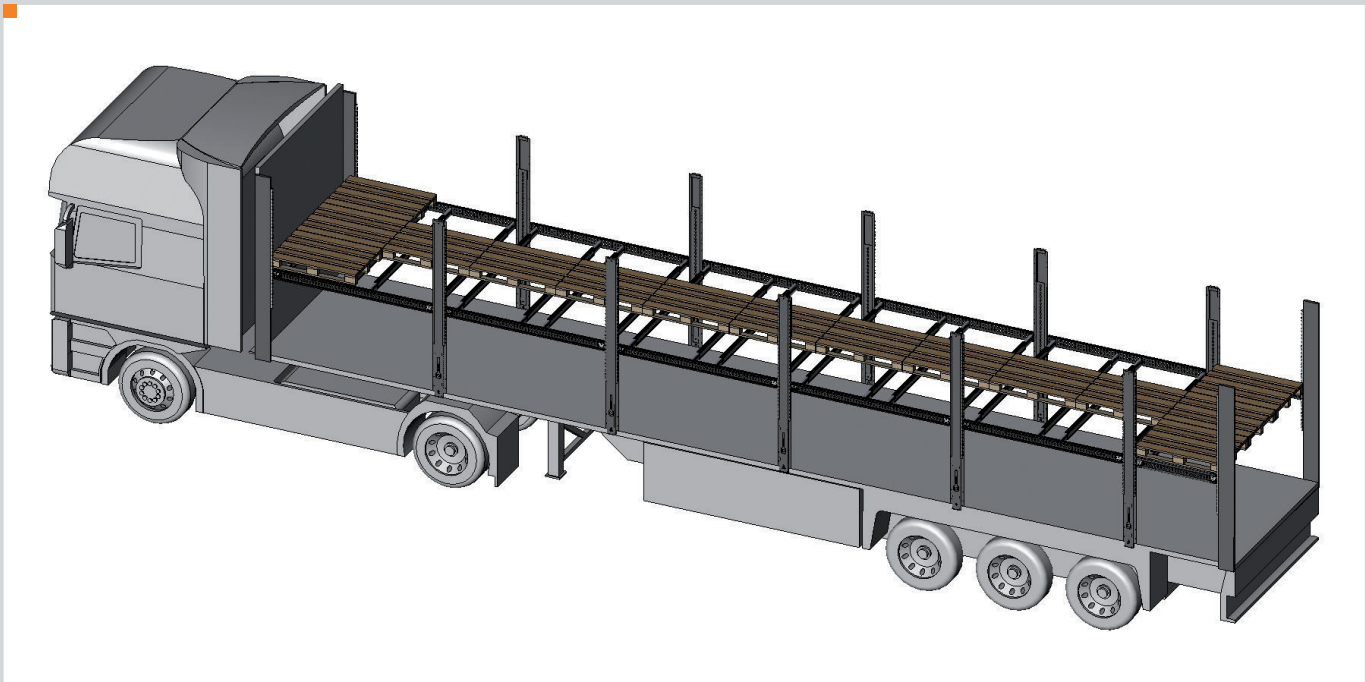


**Double-Decking-System
for curtain-sider**

Double-Decking-System for curtain-sider with 5 pairs of pillars

System components for 13.62m standard semi-trailer (other dimensions on request):

Designation	Standard length	Item No.	Max. load	Quantity
Longitudinal bar	2,220 mm	22 8000 97 01 15	1,500 daN	10
Longitudinal bar	1,070 mm	22 8000 97 02 15	1,500 daN	2
Carrier bar	2,220 mm - 2,510 mm	22 8000 87 00 20	1,000 daN	22



Description:

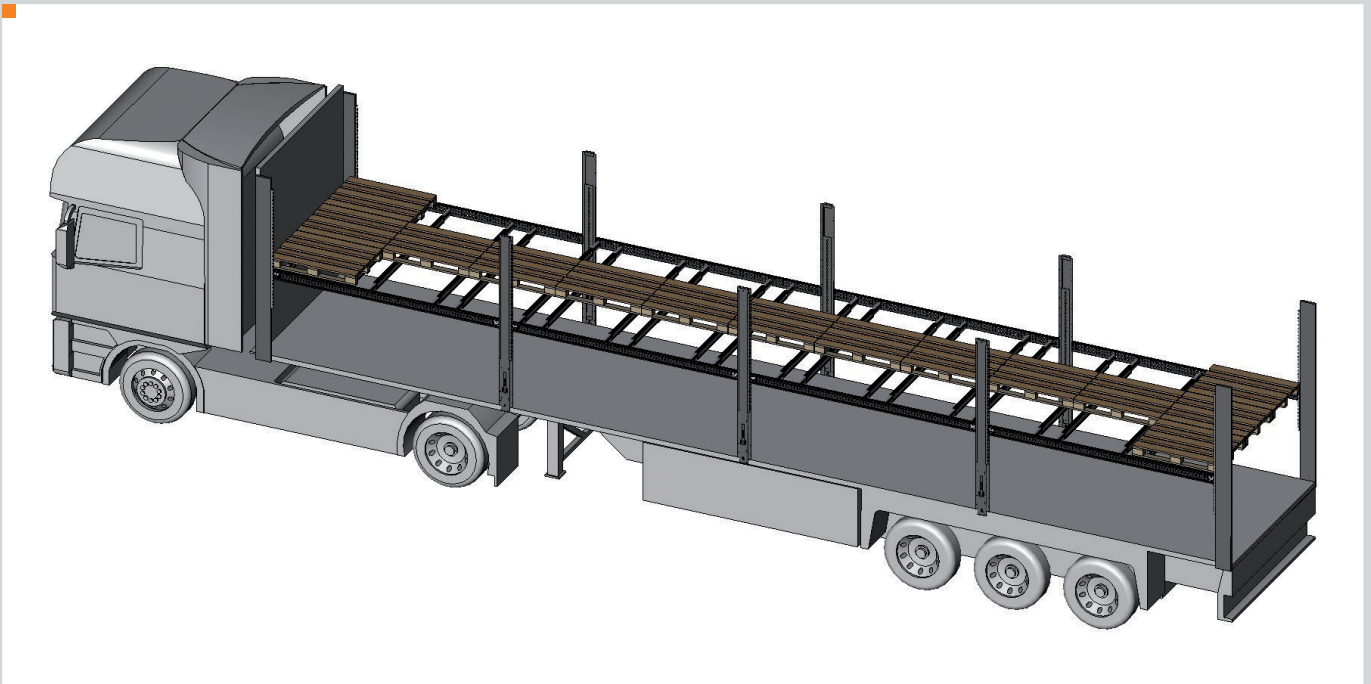
- Optimum use of the loading space by creating 33 Europallet storage positions on the 2nd loading level. Cargo with different heights can be effortlessly loaded.
- Easy, intuitive operation
- Variable in height in 50 mm grids
- Unused carrier bars are parked between the pillars.
- Longitudinal latching of the carrier bars for stabilizing the vehicle body
- The placement surface for the pallets is approx. 15 mm below the top edge of the longitudinal bar and therefore serves as pallet stop. Pallets cannot slide into the tarpaulin.
- Form-closed load securing possible, also with axle load-optimised partial loading with additional carrier or longitudinal bars.
- The maximum strain on the form closure with even strain is 500 daN. The prerequisite is sufficient structural strength (Code XL certificate with standard semi-trailers)
- Total load-bearing capacity of the 2nd loading level is generally 10,000 kg to 11,000 kg (depending on the specifications of the trailer manufacturer)
- Maximum pallet weight: 500 kg
- Additional diagonal lashing is possible
- DDS-CS plank pockets can be installed in the double-decking pillars and adjusted in height

Note: The maximum strain on the 2nd loading level is specified by the semi-trailer or vehicle manufacturer.

A retrospective installation that has not been approved by the manufacturer may lead to the withdrawal of the XL certificate and/or factory warranty.

Double-Decking-System "light" for curtain-sider with 3 pairs of pillars in standard position

Designation	Special length	Item No.	Max. load	Quantity
Longitudinal bar	3,120 mm	22 8000 97 07 15	1.150 daN	8
Carrier bar	2,220 mm - 2,510 mm	22 8000 87 00 20	1.000 daN	22



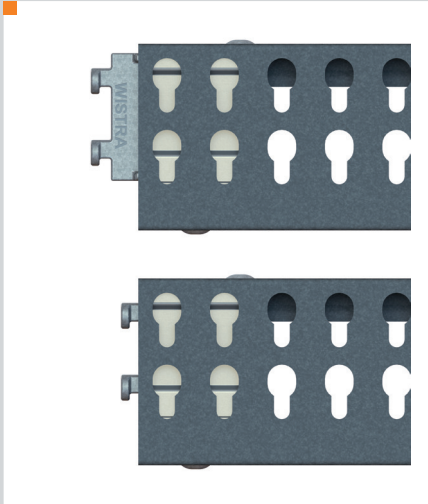
Basic functionality as with the variant with 5 pairs of stanchions with the following deviations:

- The structure retains the serial triple pillars positions. With the corresponding approval of the trailer manufacturer, it is therefore very easy to retrofit the system with double-decking pillars.
- Maximum load-bearing capacity on the top/second loading level: approximately 6,000 kg (depending on the approval of the trailer manufacturer).
- Maximum pallet weight on the top/second loading level: approximately 275 kg
- Storage of unused carrier bars in the pallet storage box

Application range and special lengths

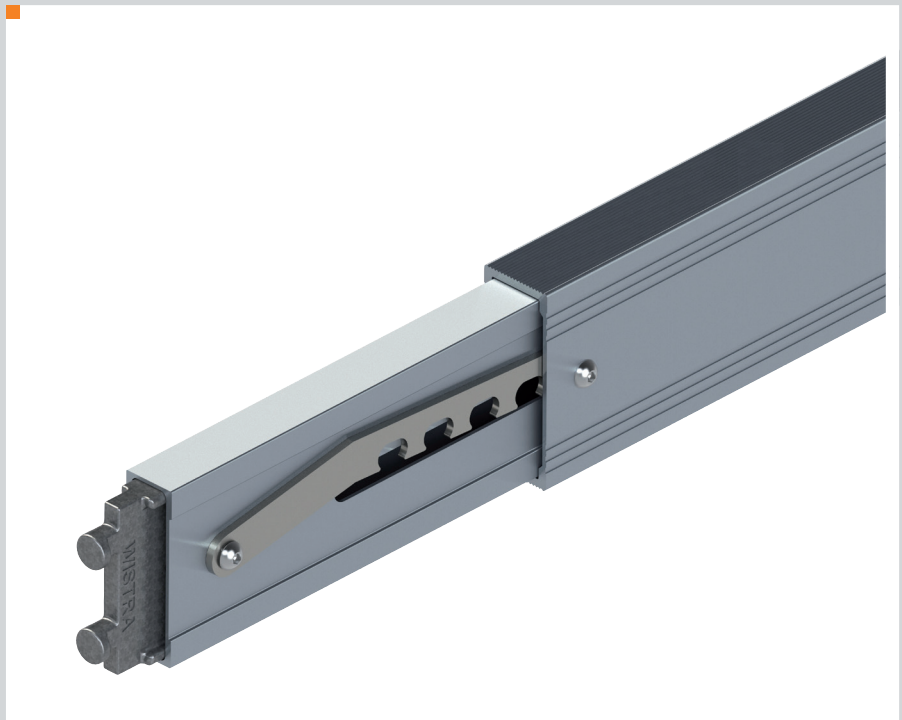
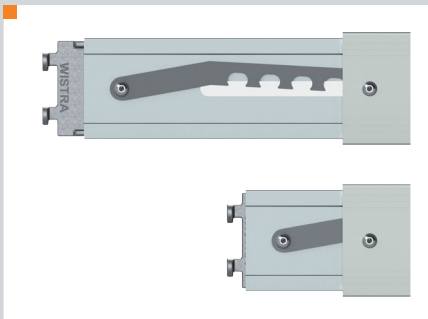
Longitudinal steel beams with keyhole:

Profile length = 2,200 mm → Application range from 2,225 mm ... 2,240 mm
 1,070 mm → Application range from 1,095 mm ... 1,110 mm
 3.120 mm → Application range from 3,145 mm ... 3,160 mm



Aluminium carrier bars with extensions on both sides and length limiter:

Profile length = 2,000 mm → Application range from 2,220 mm ... 2,510 mm

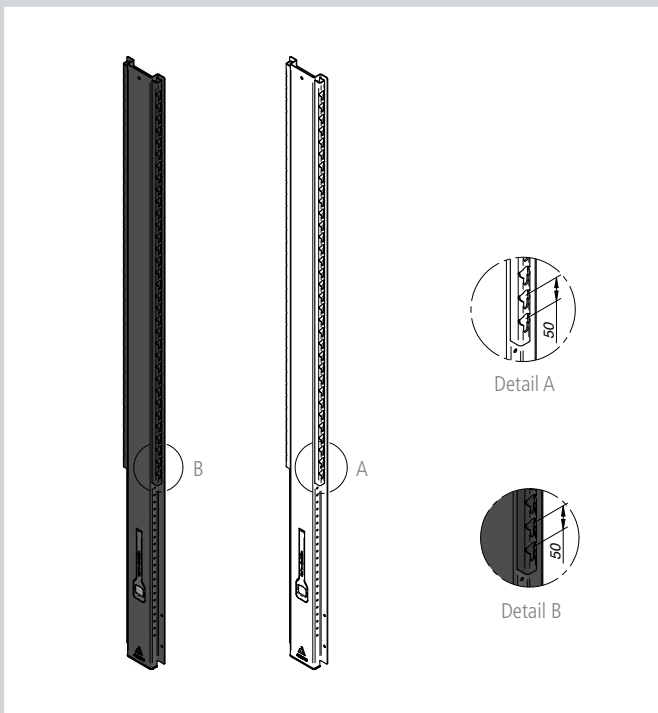


Bow base support for Double-Decking-System curtain-sider



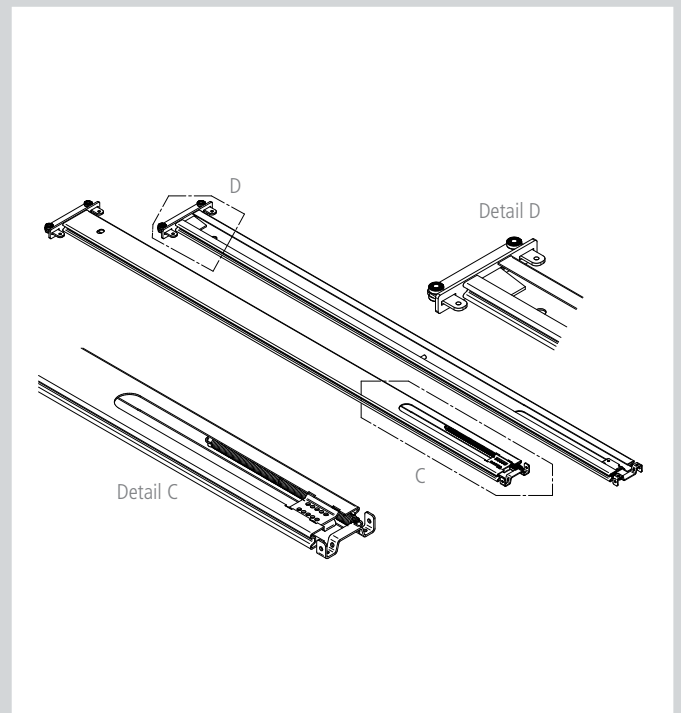
Designation	Unit of quantity	Weight	Item No.
Bow base support for Double-Decking-system curtain-sider	Pieces	0.34 kg	228010001

ADAICO vehicle construction components



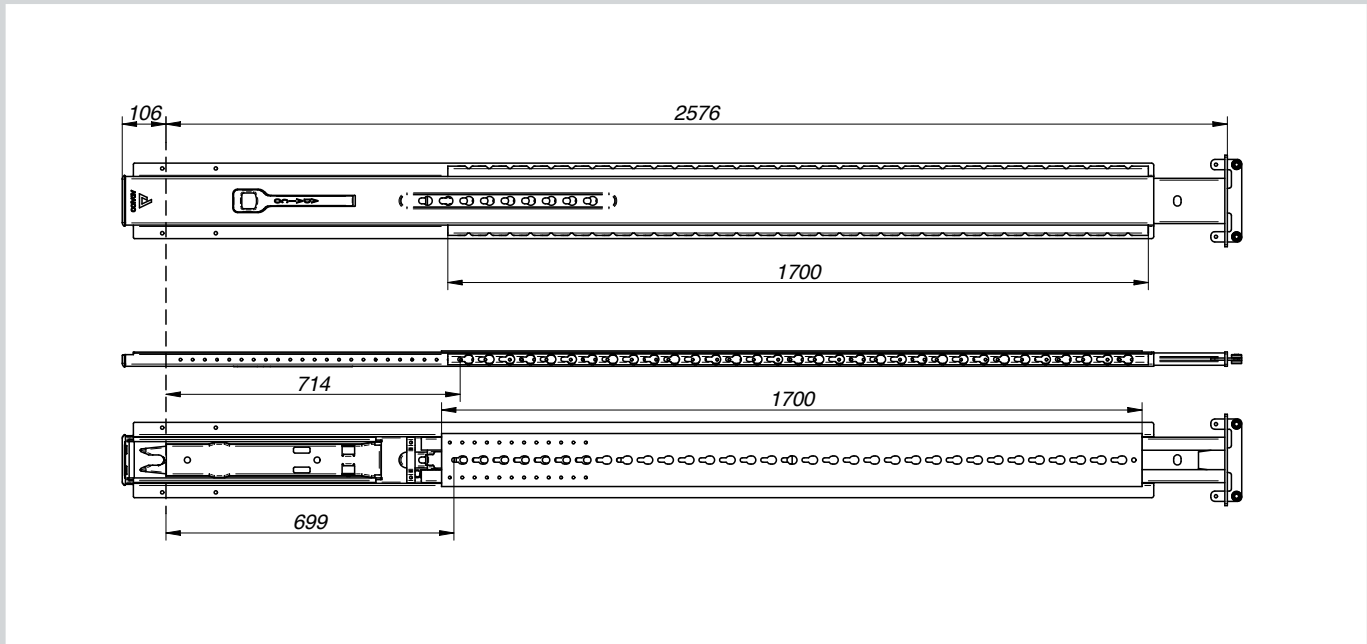
WIS Item No. 228010002

ADAICO sliding pillar with vertical and internal keyhole recesses, 2,587 to 2,987 mm, cathodic dip-coated, black



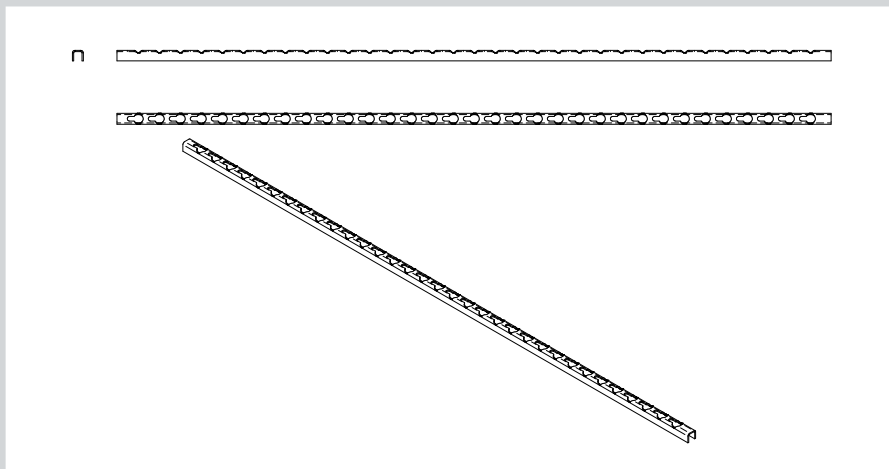
WIS Item No. 228010003

ADAICO pillar extension kit with trolley, with cathodic dip coating, black



WIS Item No. 228010002

(drawing with 228010003)



WIS Item No. 228010004

ADAICO keyhole U-profile for front and rear portal for welding on, black



WIS-Artikelnr. 228010006

ADAICO pillar chassis hook for welding, 88 mm, black

WISTRA GmbH
 Cargo Control
 An der Trave 11 · 23923 Selmsdorf
 Phone +49 (0) 388 23 / 258-0
 Fax +49 (0) 388 23 / 258-23
 E-Mail info@wistra.eu
 www.wistra.eu

You will find our entire
 product catalogue online at:

www.wistra.eu/en/products

